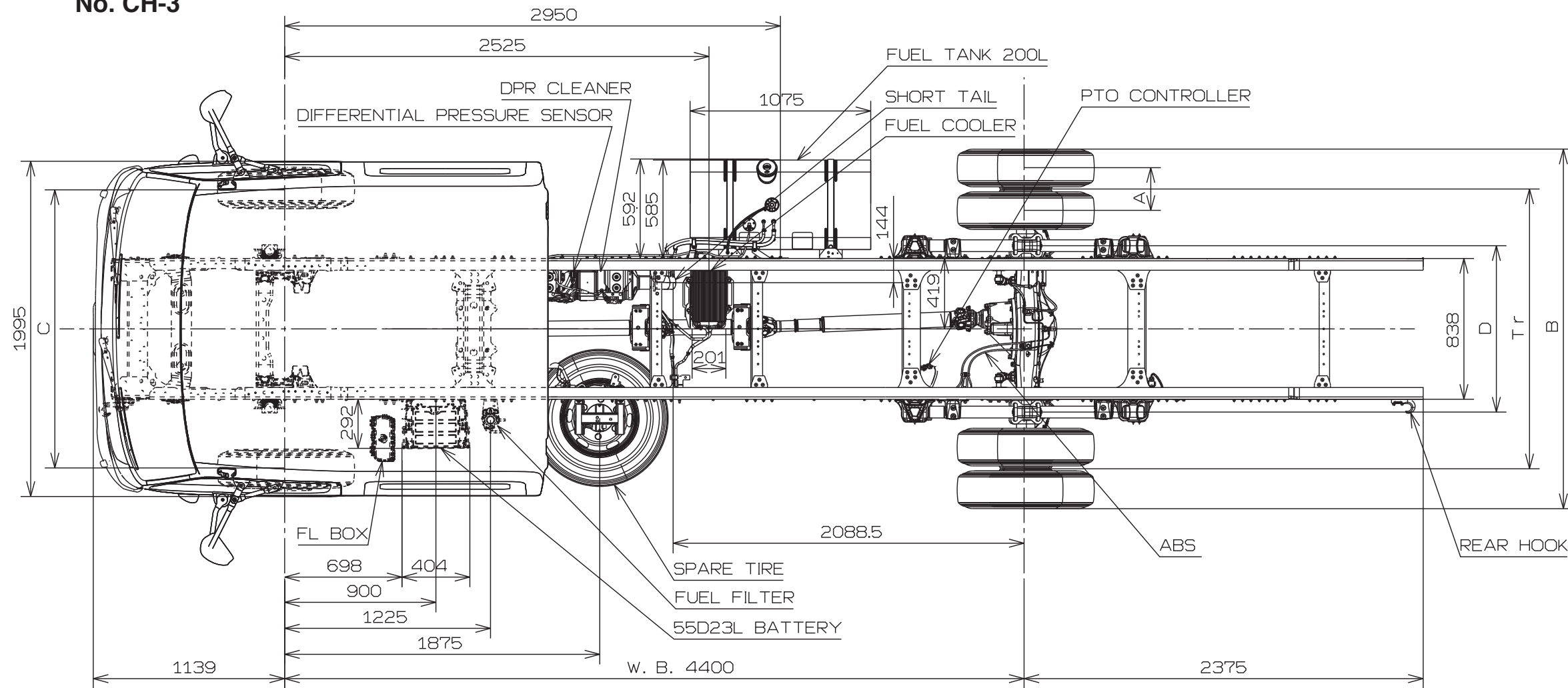


## 300 Series MY20 Cab & Chassis drawings

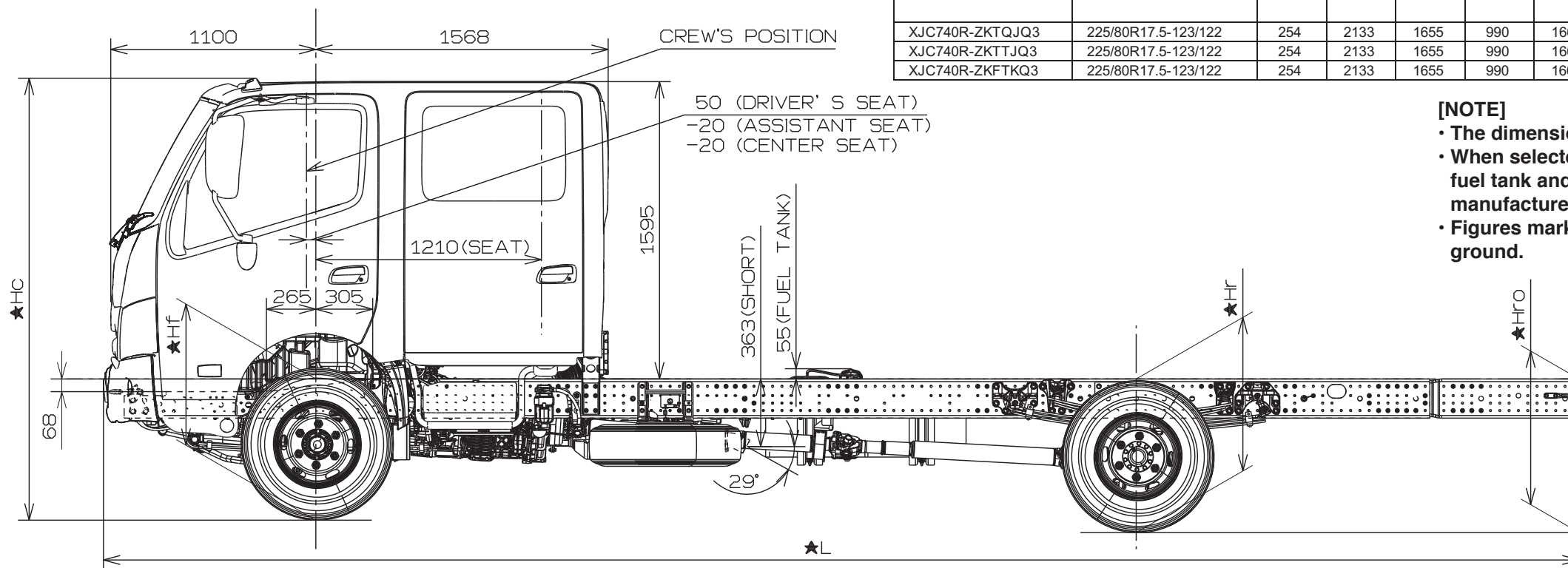
Model	721 & 921 CREW CAB RANGE	
Variant	Product Code	Chassis drawing
721 AT 4400 WIDE CREW	XJC740R-ZKTQJQ3	CH-3
921 AT 4400 WIDE CREW	XJC740R-ZKTTJQ3	CH-3

No. CH-3

Unit : mm



MODEL	TIRE SIZE	A	B	C	D	Tr	DETAIL OF ★L				★L	★Hc	★Hf	★Hr	★Hro
							FRAME	HOOK	SPARE TIRE	Rr. BUMPER					
XJC740R-ZKTQJQ3	225/80R17.5-123/122	254	2133	1655	990	1660	7905	7855	-	-	7905	2352	744	826	871
XJC740R-ZKTTJQ3	225/80R17.5-123/122	254	2133	1655	990	1660	7905	7855	-	-	7905	2348	741	836	886
XJC740R-ZKFTKQ3	225/80R17.5-123/122	254	2133	1655	990	1660	7905	7854	-	-	7905	2349	742	836	887



[NOTE]

- The dimensions described above are designed figure under the chassis condition.
- When selected or fitted optional equipment or local parts such as tire, leaf spring, fuel tank and etc., should be examined the frame height from ground by body manufacturer.
- Figures marked "★" dimensions are measured in parallel with the surface of the ground.